



 **TEXWRAP**[®]

OSS Series Side Seal Wrappers

ORBITAL MOTION SHRINK SYSTEMS

R&E

ROBOTICS &
END OF LINE

OSS SERIES SIDE SEALERS

ORBITAL MOTION SHRINK SYSTEMS

The OSS Series Side Sealers are Texwrap's highest speed continuous-motion sealers.

The OSS design uses Texwrap's patented orbital seal head that combines very fast, precise, servo controls with an elliptical motion of the sealing head. The orbital motion allows for extremely fast speeds by drastically reducing the seal head movement needed to make the seal. This feature combined with the 250 feet per minute conveyor speed makes it the fastest and most flexible wrapper of its kind.

With an optional corrosion resistant design, Texwrap's OSS Series machines can be configured for bakery applications demanding the highest productions rates. Designed for the special requirements of a food production environment, the corrosion resistant design features stainless steel construction and a removable washdown infeed.



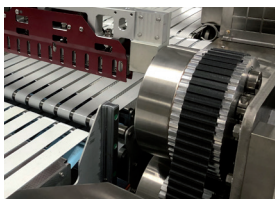
WHY TEXWRAP?

Texwrap's OSS Series systems utilize our patented orbital seal motion that ensures the machine creates a consistent, quality seal at a high speed, and are robust enough to run continuously, 3 shifts per day, 7 days a week.

Texwrap's vertically integrated manufacturing process means all our machines are designed, fabricated, and assembled under one roof

Made in the U.S.A. quality and customer support, and our industry leading 10-Year Built-Better Backed-Better Warranty ensure the Lowest Total Cost of Ownership in the Industry.

OSS SERIES SEALER FEATURES & BENEFITS



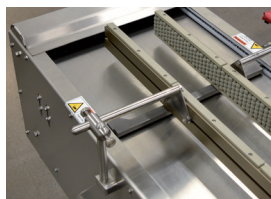
ORBITAL SEAL SYSTEM

Utilizing Texwrap's patented Orbital Seal System results in highest rate of speed at continuous operation.



SERVO CONTROLLED SEAL JAW

The seal jaw is servo controlled for precise seal placement.



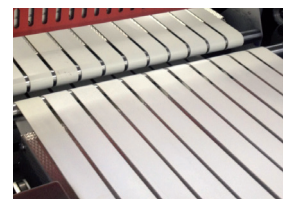
TEXWRAP DESIGNED PRODUCT INFEEED

Utilizing its library of infeed designs Texwrap will configure a solution to optimize product output.



CENTERLINE JUSTIFIED

Easily paired with Texwrap infeed to provide a precise, consistent flow of product into the wrapper.



PRECISE PRODUCT CONTROL

Finely tuned product control through the transition zones to maximize seal strength and quality.

THE TVS DIFFERENCE

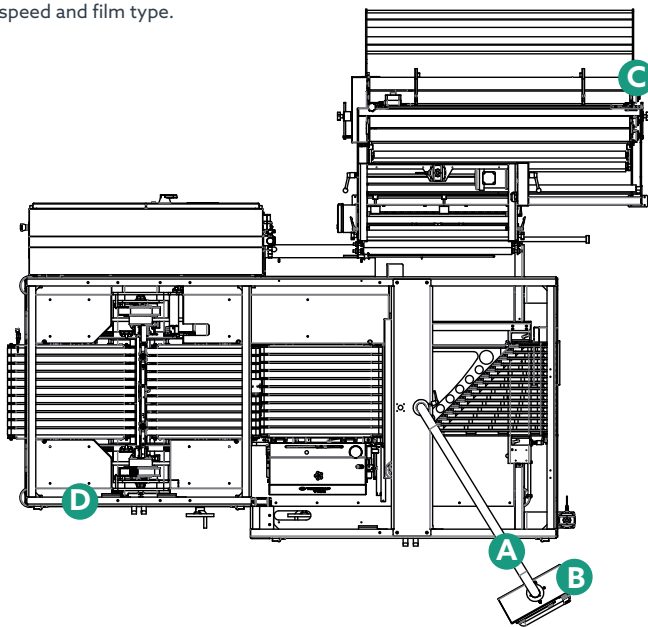


The rugged yet simple design of the patented TVS (Texwrap Versa Seal) side seal system produces the ultimate in consistent seal quality across a broad range of film types and gauges – with little or no adjustment.

Using very few moving parts, no air, and an uncoated sealing element ensures consistent seal quality with very little maintenance.

OSS SERIES WRAPPER LAYOUT

- Infeeds are built to application. Build length will vary according to speed and source of product load.
- Tunnels are multi zone. Length will vary according to product, conveyor speed and film type.



- A** Swivel arm allows HMI to be positioned as needed
- B** HMI Interface with access to programmed recipes
- C** Ergonomic low-mount film cradle
- D** Heavy duty welded steel base frame

TYPICAL PRODUCT SPECIFICATIONS

OSS Side Seal System	OSS-145	OSS-205	OSS-289	OSS-209
Maximum Package Size Both Height & Width cannot be at maximum dimension	4.5" Height 14" Width Infinite Length	5" Height 20" Width Infinite Length	9" Height 28" Width Infinite Length	10" Height 20" Width Infinite Length
Film Width	Maximum: 24" Center folded Optional: 48" Single wound	Maximum: 27" Center folded Optional: 54" Single wound	Maximum: 36" Center folded Optional: 72" Single wound	Maximum: 27" Center folded Optional: 54" Single wound
Conveyor Speed	Up to 250 feet per minute			Up to 250 feet per minute
Typical Wrapper Footprint Does not include door clearance, swivel arm position, or other options	118" Length x 70" Width	120" Length x 85" Width	146" Length x 95" Width	137" Length x 81" Width
Construction	Heavy-duty welded tubular steel standard; optional corrosion resistant construction for wipe-down environments			
Orientation	Right or Left-hand configuration available			
Country of Origin	Designed and manufactured in the USA			



Texwrap provides high-quality stand-alone machinery and systems to produce commercially attractive shrink wrapped and shrink bundled products that are protected for storage and shipping. We provide one of the most comprehensive lines of cost-effective high-speed shrink wrapping and bundling solutions for a variety of applications including L-bar sealers, continuous motion side sealers, intermittent motion side sealers, lap sealers, and vertical wrappers, as well as tunnels, conveyors, and infeeds. We also specialize in designing and building systems for e-commerce packaging, as well as custom systems to fit unique applications for a variety of shaped products.

We have a network of highly-trained packaging distributor partners to better serve our customers. These partnerships ensure the best machinery and application fit, smooth startup, reliable local service, and long-term return on investment.

USA
525 Vossbrink Dr.
Washington, Missouri 63090
P: 636-239-7424
TOLL FREE: 800-886-7421

E: Texwrap@ProMachBuilt.com
W: Texwrap.com

