



 **TEXWRAP**[®]

CSS Series Side Seal Wrappers

CONTINUOUS MOTION SHRINK SYSTEMS

R&E

ROBOTICS &
END OF LINE

CSS SERIES SIDE SEALERS

CONTINUOUS MOTION SHRINK WRAPPING SYSTEMS

The CSS Series is Texwrap's continuous-motion side seal for applications demanding high throughput speeds and maximum package flexibility.

The CSS Series "box-motion" style wrappers are some of Texwrap's most popular machines due to their speed and versatility. The end seal moves horizontally with the product as the seal is made. When the seal is complete, the head raises and the carriage returns to make the next seal. The servo-driven seal gives the operator control of dwell time and seal pressure from the touchscreen.

The CSS-2011 uses Texwrap's patented hybrid pneumatic cam system allows very fast back and forth movement of the carriage to seal and separate packages – without the harsh stops and starts inherent in competitive systems. Additionally, Texwrap's exclusive Motion Trim™ technology electronically minimizes the motion of the end seal. These features ensure maximum throughput speeds with long term reliability and minimal maintenance.

Flexibility & ease-of-use are hallmarks of Texwrap's design. With standard auto spacing control, horizontal and vertical photo eyes, and precise variation of conveyor speed to relax the film between products, the CSS Series accommodates randomly fed or choke-spaced product and separates them into reliable, consistent packages using the absolute minimum amount of film.

WHY TEXWRAP?

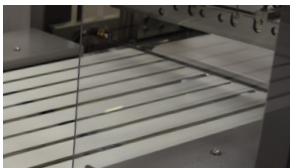
Texwrap's CSS Series systems employs Texwrap Versa Seal technology that ensures the machine creates a consistent, quality seal at a high speed, and are robust enough to run continuously, 3 shifts per day, 7 days a week.

Each machine is equipped with Texwrap's patented Motion Trim™ technology and conveyor speeds up to 140 feet per minute. The result is a machine that maximizes speed yet minimizes wear on moving parts.

Made in the U.S.A. quality and customer support, and our industry leading 10-Year Built-Better Backed-Better Warranty ensure the Lowest Total Cost of Ownership in the Industry.



CSS SERIES FEATURES



MOTION TRIM™ TECHNOLOGY

Texwrap's patented technology increases throughput by the running infeed and exit conveyors while seal jaws are in motion.



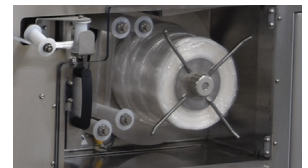
STANDARD AUTO-SPACING CONTROL

Using vertical or horizontal photo eyes to detect leading and trailing edges of product to create consistent spacing between products.



AUTOMATIC BAG LENGTH ADJUSTMENT

Horizontal and vertical photo eyes control cross seal, and provide automatic bag length adjustment



SELF-CONTAINED FILM SCRAP WIND-UP

Film scrap wind-up system with automatic speed compensating dancer bar control.

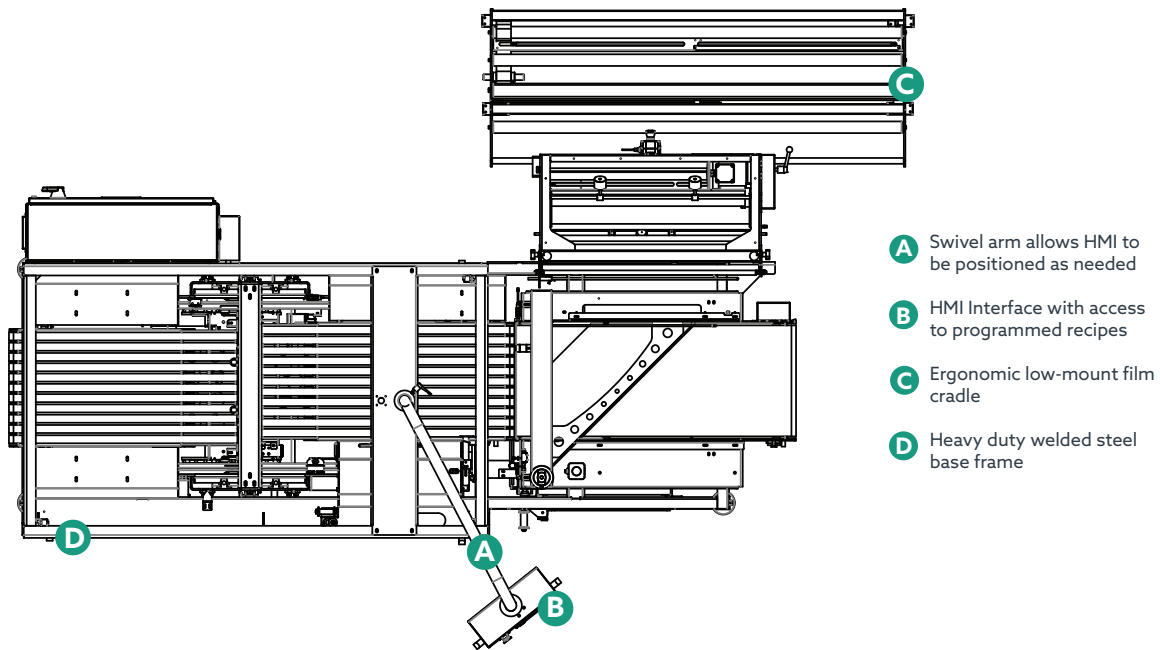
THE TVS DIFFERENCE



The rugged yet simple design of the patented TVS (Texwrap Versa Seal) side seal system produces the ultimate in consistent seal quality across a broad range of film types and gauges - with little or no adjustment.

Using very few moving parts, no air, and an uncoated sealing element ensures consistent seal quality with very little maintenance.

CSS SERIES TYPICAL MACHINE LAYOUT



TYPICAL PRODUCT SPECIFICATIONS

CSS Side Seal System	CSS-1407	CSS-1809	CSS-2011
Maximum Package Size Both Height & Width cannot be at maximum dimension	7" Height 14" Width Infinite Length	9" Height 18" Width Infinite Length	10" Height 20" Width Infinite Length
Film Width	Maximum: 24" Center folded Optional: 48" Single wound	Maximum: 27" Center folded Optional: 54" Single wound	Maximum: 32" Center folded Optional: 64" Single wound
Conveyor Speed	Up to 140 feet per minute		Up to 100 feet per minute
Typical Footprint Does not include door clearance, swivel arm position, or other options	123" Length x 69" Width	134" Length x 73" Width	135" Length x 71" Width
Construction	Heavy-duty welded tubular steel standard; optional corrosion resistant design for wipe down environments		
Orientation	Right or Left-hand configuration available		
Country of Origin	Designed and manufactured in the USA		



 **PROMACH**[®]

 **TEXWRAP**[®]

Texwrap provides high-quality stand-alone machinery and systems to produce commercially attractive shrink wrapped and shrink bundled products that are protected for storage and shipping. We provide one of the most comprehensive lines of cost-effective high-speed shrink wrapping and bundling solutions for a variety of applications including L-bar sealers, continuous motion side sealers, intermittent motion side sealers, lap sealers, and vertical wrappers, as well as tunnels, conveyors, and infeeds. We also specialize in designing and building systems for e-commerce packaging, as well as custom systems to fit unique applications for a variety of shaped products.

We have a network of highly-trained packaging distributor partners to better serve our customers. These partnerships ensure the best machinery and application fit, smooth startup, reliable local service, and long-term return on investment.

USA
525 Vossbrink Dr.
Washington, Missouri 63090
P: 636-239-7424
TOLL FREE: 800-886-7421

E: Texwrap@ProMachBuilt.com
W: Texwrap.com

