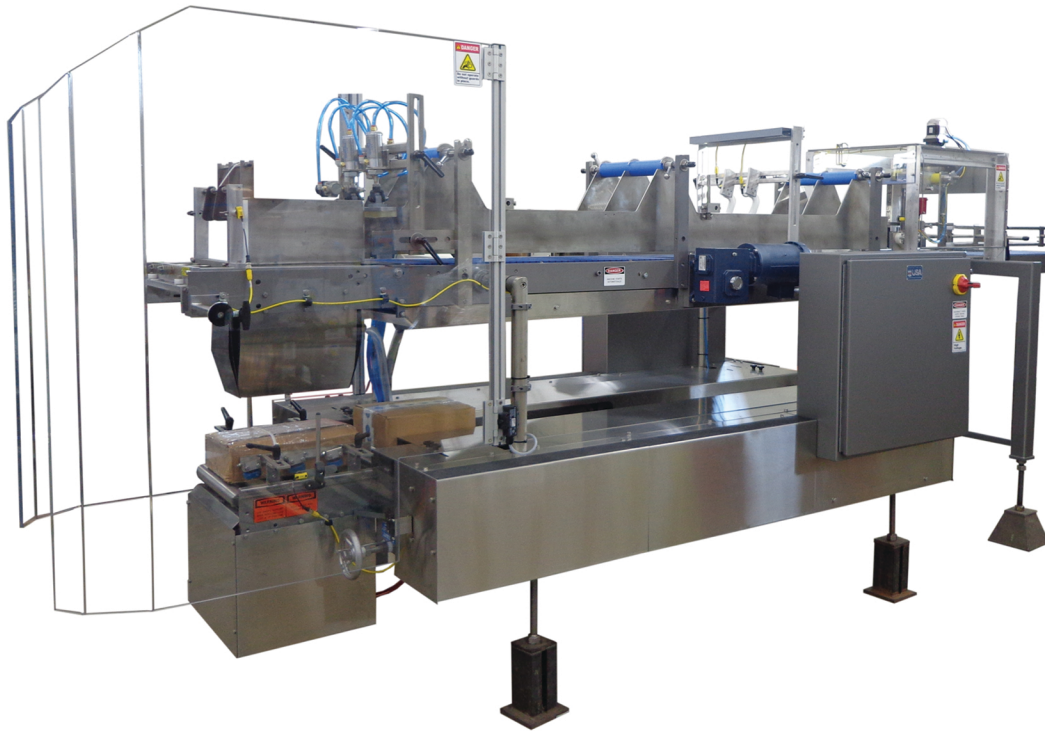




HAMRICK

300D DROP PACKER



**Round & Non-Round
Containers**



**15
Cycles Per Minute**

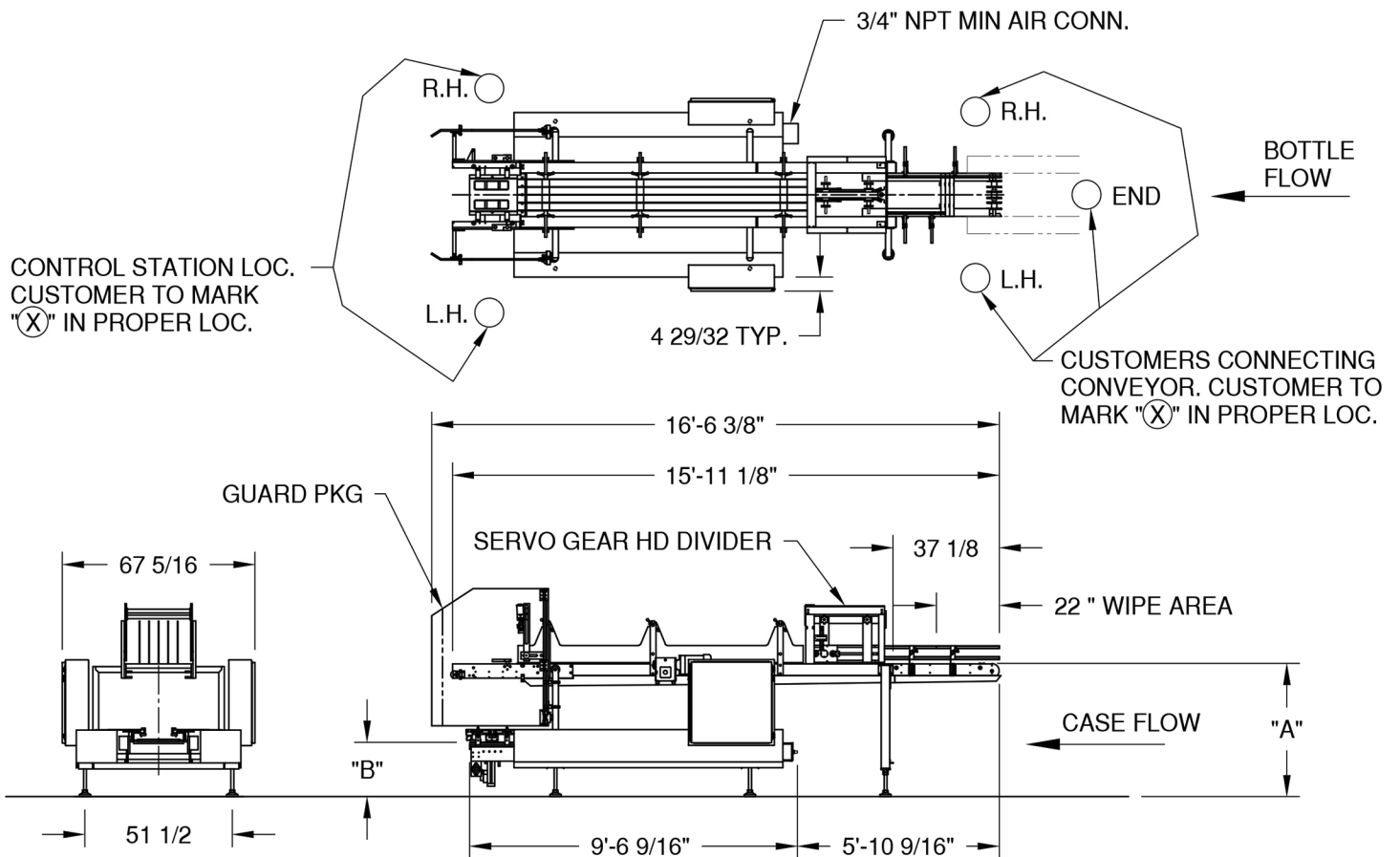


**Low to Medium
Production Volume**



HAMRICK

300D DROP PACKER



Unit Specifications:

- One (1) packing head included
- Allen-Bradley MicroLogix 1400 PCL
- Stainless steel container and case guides
- Steel-It corrosion resistant paint
- NEMA 12 electrical
- Servo or pneumatic Allen-Bradley lane divider
- Prime and back-up photo eyes

Upgrades Available:

- Bottle turner
- Tab lock on case lift
- All stainless steel construction with NEMA 4 electrical

One (1) Year Warranty and 100% Money Back Guarantee Always Included